

AVP325A

Professional Outdoor Speed Dome Camera 22X Zoom Speed Dome Camera



Product Overview

Equipped with a 360° pan and 90° tilt base and 22X optical zoom lens, this outdoor type speed dome camera is capable of following the moving object precisely with **Intelligent Auto Tracking**, and long-time operation with **High Spindle Reliability**. Moreover, its **Friendly Graphical OSD Interface** and **Convenient Keyboard Controller Control** support make the operation and surveillance simpler. With all these strong features, various demanding applications for safety surveillance can be easily achieved.

Features

Advanced Auto Tracking Accuracy

-- to follow the moving object

Smart Zoom

-- to automatically zoom in the moving object & Auto-focus zoom lens

Rigid & High-Speed Pan / Tilt Mechanism with Two-Million Rotation Test Passed

-- for longer operating lifetime

Pelco-D & Pelco-P Support

-- for higher compatibility

Flexible Color / Shutter Parameters Adjustment

-- to adapt various light conditions

Hot Point

Graphical On-Screen Display

Excellent outdoor ID design with cable management

Ambient Operating Temperature $-10^{\circ}\text{C} \sim 50^{\circ}\text{C}$ ($14^{\circ}\text{F} \sim 122^{\circ}\text{F}$)

Easy Operation via Keyboard Controller

IP66, suitable for outdoor use

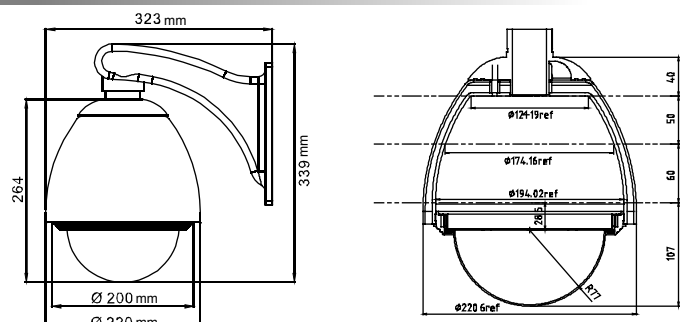
Up to 256 preset points & eight preset groups, and Auto Scan

Optional Peripheral



Keyboard Controller

Dimensions (mm)



SPECIFICATIONS

GENERAL	
Signal System	NTSC or PAL
Pick-up Element	1/4" Sony Color Super HAD CCD image sensor
Number of Pixels	768(H)*494(V)<NTSC> / 752(H)*582(V)<PAL>
Resolution	High Resolution
Min. Illumination	0.3 Lux / F1.6
S/N Ratio	More than 48dB (AGC off)
Video Output	1.0 Vp-p. 75Ω
BLC	On / Off
Gain Control	Low, Medium & High / Off
Sharpness	Low / Medium / High
White Balance	Auto / Indoor 1 / Indoor 2 / Sun / Cloudy * Indoor1 = 9000K; Indoor2 = 3000K; Sun = 5500K; Cloudy = 7000K
Camera Title	10 characters
Preset Points and Sequence	Total 8 groups, 256 programmable preset points * The sequence of all the preset points will follow the order of the minimal panning route.
Auto Tracking	Yes (combined with auto zoom focus tracking)
LENS	
Focal Length	f3.9 mm ~ f85.9 mm
F-number	F1.6 (Wide) ~ 3.7 (Tele)
Viewing Angle	4°~ 60°
Auto Electronic Shutter	1 / 60 (1/50) to 1 / 100,000 sec.
Auto Focus	Manual / Auto
MECHANISM	
Pan Range	360°
Pan Speed	360°/ 1 sec * The pan speed can be adjusted according to the different pan speed mode.
Tilt Range	90°
Tilt Speed	0°~ 90°under 1 sec
Zoom Ratio	22X optical zoom
Zoom Speed	Approx. 7s (Tele ~ Wide)
OTHERS	
IP Rating	IP66
Ambient Operating Temperature	-10°C ~ 50°C (14°F ~ 122 °F) Fan: 40°C on, 30°C off Heater: 5°C on, 15°C off
Power Source (±10%)	DC12V
Current Consumption	3A (max)
Dimensions (mm)**	323(W) x 339(H) (bracket included)
Optional Device	Keyboard controller

* The specifications are subject to change without notice.

** Dimensional Tolerance: ±5mm